



**Electrolux**  
PROFESSIONAL

**Modular Cooking Range Line  
thermaline 85 - 1000 mm Cupboard  
base with 2 doors, GN conform, 1 Side  
(H2)**

ITEM # \_\_\_\_\_

MODEL # \_\_\_\_\_

NAME # \_\_\_\_\_

SIS # \_\_\_\_\_

AIA # \_\_\_\_\_



588583 (MB1FCAJ000)

Cupboard Base with 2 doors, one-side operated, GN - H2

### Short Form Specification

**Item No.** \_\_\_\_\_

1000 mm wide cupboard base with 2 doors, constructed according to DIN 18860\_2 with 70 mm recessed plinth. Internal frame for heavy duty sturdiness in stainless steel. Flat surface construction, easily cleanable.

IPX5 water resistant certification.

Configuration: One side operated freestanding base, hygienic class H2.

### Main Features

- All major components may be easily accessed from the front.
- THERMODUL connection system creates a seamless work top when units are connected to each other thus avoiding soil penetrating vital components and facilitating the removal of units in case of replacement or service.
- IPX5 water resistance certification.
- Unit constructed according to DIN 18860\_2 with 70 mm recessed plinth.
- Cupboard compartment for storage of pots, pans, sheet pans etc.

### Construction

- Hygienic design of the base cupboard with large round edges.
- 2 mm top in 1.4301 (AISI 304).
- Flat surface construction with minimal hidden areas to easily clean all surfaces
- Internal frame for heavy duty sturdiness in stainless steel.

### Optional Accessories

- Stainless steel front kicking strip, 1000mm width PNC 912636
- Stainless steel side kicking strip left and right, wall mounted, 850mm width PNC 912659
- Stainless steel side kicking strip left and right, back-to-back, 1700mm width PNC 912662
- Stainless steel side panel, 850x700mm, right side, against wall PNC 913003
- Stainless steel side panel, 850x700mm, left side, against wall PNC 913004
- Perforated shelf for warming cabinets and cupboard bases (one-side operated TL80-85-90 and two-side operated for TL80) PNC 913235
- Side reinforced panel only in combination with side shelf, for against the wall installations, right PNC 913261
- Side reinforced panel only in combination with side shelf, for against the wall installations, left PNC 913262
- Shelf fixation for TL80-85-90 one-side operated, TL80 two-side operated PNC 913283
- Stainless steel dividing panel, 850x700mm, (it should only be used between Electrolux Professional thermaline Modular 85 and thermaline C85) PNC 913670

APPROVAL: \_\_\_\_\_



Experience the Excellence  
[www.electroluxprofessional.com](http://www.electroluxprofessional.com)

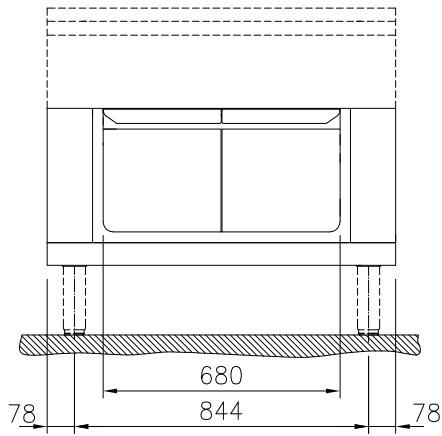


**Electrolux**  
PROFESSIONAL

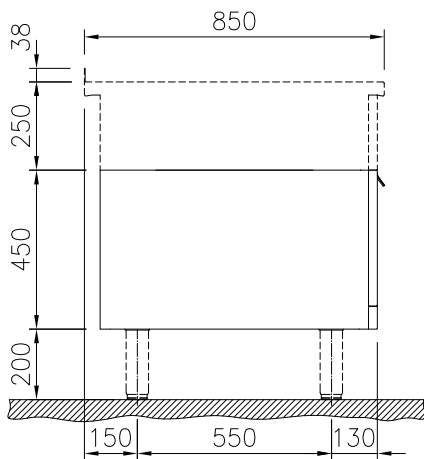
**Modular Cooking Range Line  
thermaline 85 - 1000 mm Cupboard base  
with 2 doors, GN conform, 1 Side (H2)**

- Stainless steel side panel, 850x700mm, PNC 913686   
flush-fitting (it should only be used  
against the wall, against a niche and in  
between Electrolux Professional  
thermaline and ProThermetic  
appliances and external appliances -  
provided that these have at least the  
same dimensions)

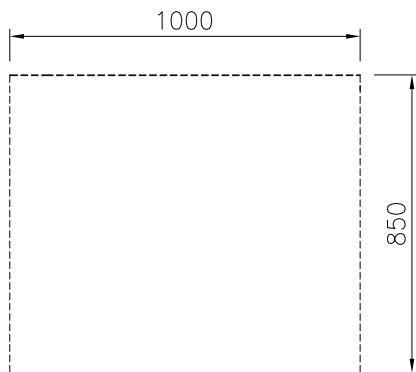
Front



Side



Top


**Key Information:**

<b>External dimensions, Width:</b>	
588583 (MB1FCAJ000)	1000 mm
<b>External dimensions, Depth:</b>	850 mm
<b>External dimensions, Height:</b>	450 mm
<b>Cupboard Cavity Dimensions (width):</b>	680 mm
<b>Cupboard Cavity Dimensions (height):</b>	330 mm
<b>Cupboard Cavity Dimensions (depth):</b>	715 mm
<b>Net weight:</b>	ISO 9001; ISO 14001 kg